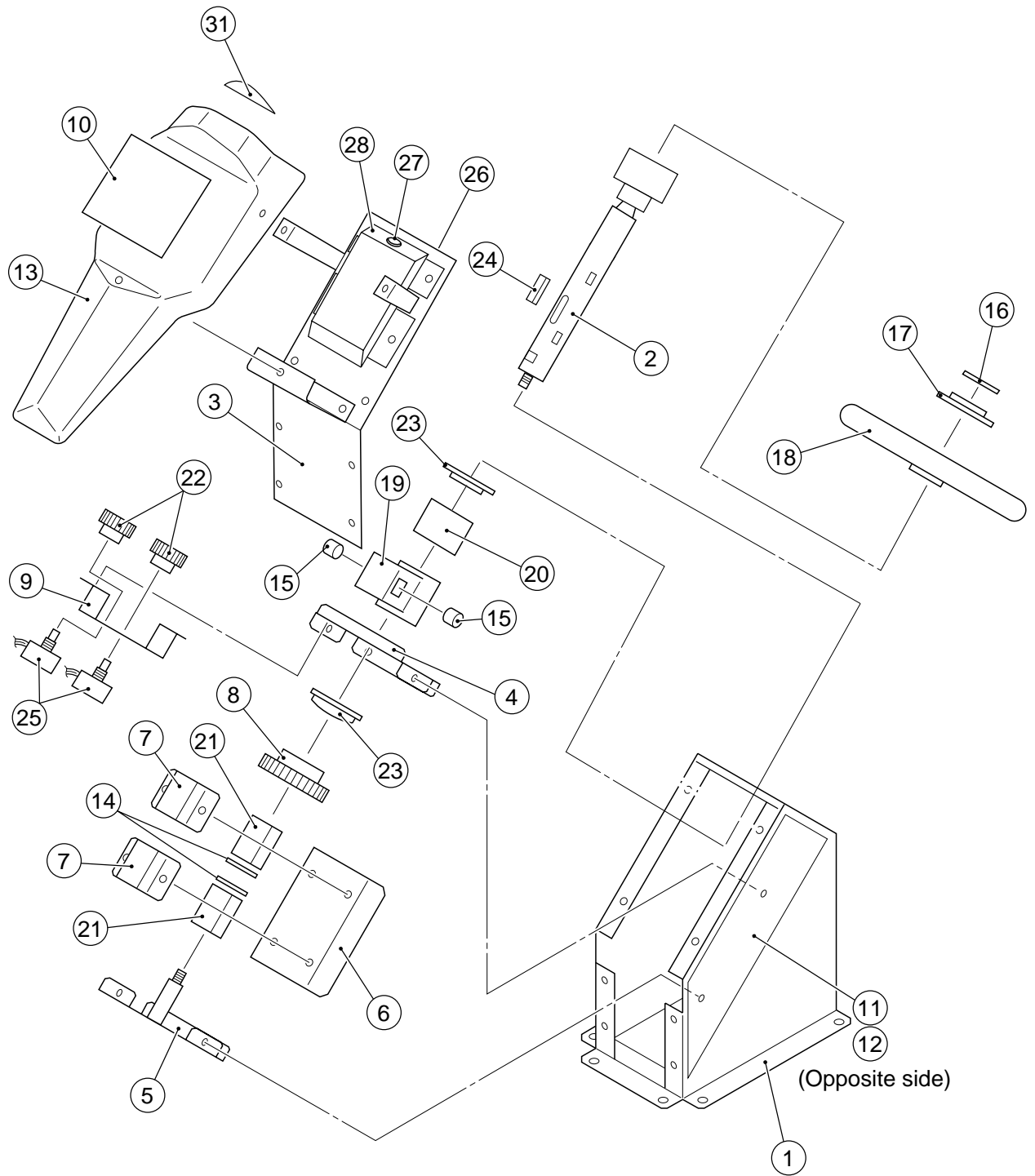


# **KART DUEL**

## **UPDATE TO PARTS LIST**

Please ensure that any parts ordered for the Steering Assembly use the Part Numbers and Descriptions shown on the following pages.

Please keep these pages with the Operators Manual for future use.



Item	Description	Part No
1	Steering Assy Metal Framework	47000278
2	Steering Shaft	47000408
3	Steering Top Cover	47000280
4	Bearing Bracket	47000281
5	Rosta Shaft Bracket	47000282
6	Rosta Support Bracket	47000283
7	Rosta Spring Bracket	47000284
8	56 Tooth Gear (SIS56B-0610F)	47000285
9	Pot Holder Bracket	47000286
10	Number Decal	40000603
11	Steering Side Decal - LHS	40000608
12	Steering Side Decal - RHS	40000609
13	Steering Vac-Form	XKD-699-302
14	Washer - M10	28000198
15	Rubber Block	47000289
16	Namco Embossed Logo	XAD-295-011
17	Steering Wheel Centre Cap	XAD-463-414E
18	Steering Wheel - 10" Mounney - Black Vinyl	88800068
19	Steering Stop Arm (B)	X464-011
20	Shaft Collar	47000409
21	Rosta Spring (DR-S 15x60)	47000296
22	28 Tooth Gear (SIS-28B-0806)	47000292
23	FYH Bearing (SBPF205)	XDD-178-140
24	Woodruff Key (8x7x45)	47000293
25	Steering Potentiometer (EWSUGBF20E13) 270deg	X008-022
26	Motor Stop Explain Decal	40000616
27	Motor Stop Switch	60000015
28	Motor Stop Switch Decal	40000607



# KART DUEL

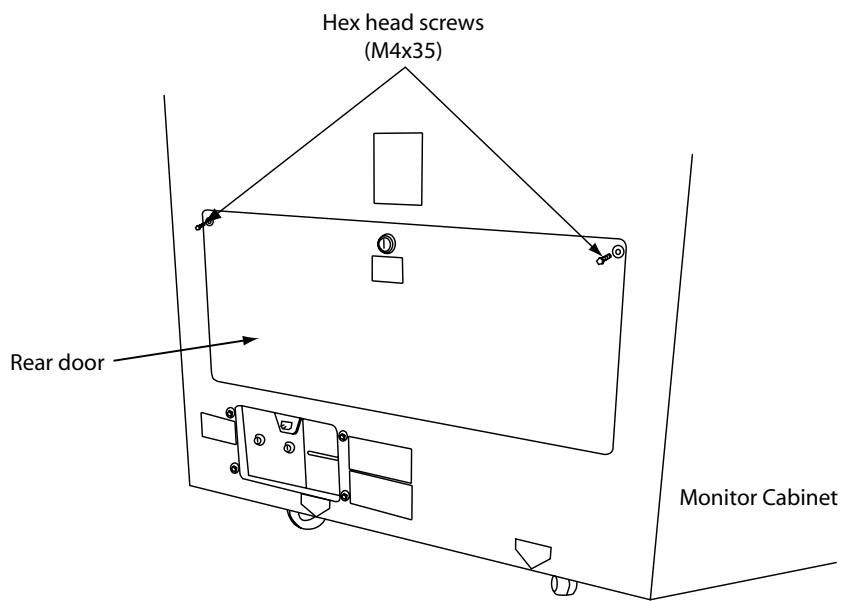
## REPLACEMENT OF THE TRANSFORMER

### ITEMS SUPPLIED

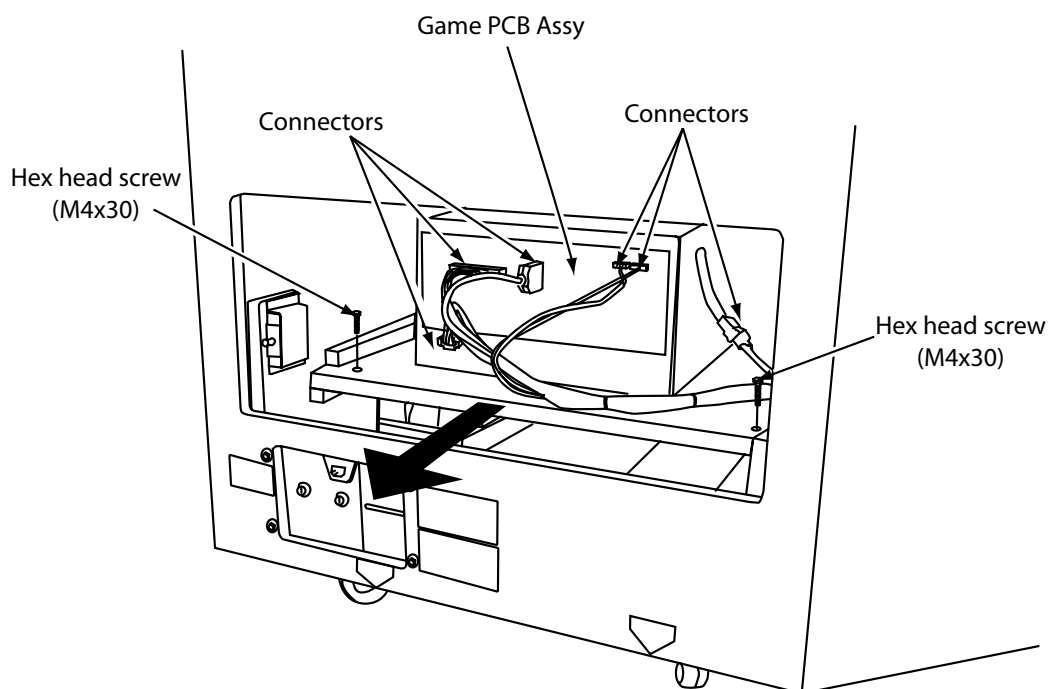
<u>Item</u>	<u>Part No</u>	<u>Quantity</u>
Transformer	67700044	1
Transformer Bracket	47000410	2
Hex head screw (M6x20)	26300778	2
Flat Washer (M6)	28000171	4
Spring Washer (M6)	28000028	4
Durlock Nut (M6)	27000173	4
Flat washer (M6)	28000171	2
Wood screw (No10x $\frac{3}{4}$ )	26100396	2
Pozi head Screw (M5x16)	26300580	1
Spring Washer (M5)	28000151	1
Whizztite Nut (M5)	27000151	1

**Ensure that the game is operating correctly. Rectify any problems before starting this modification.**

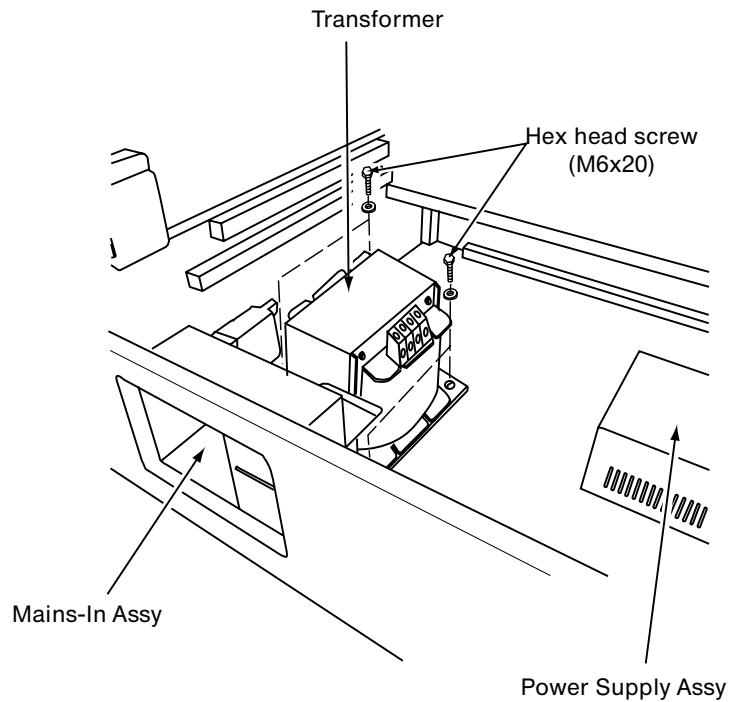
1. Remove 2 off hex head screws (M4x35) and remove the Monitor Cabinet Rear Door.



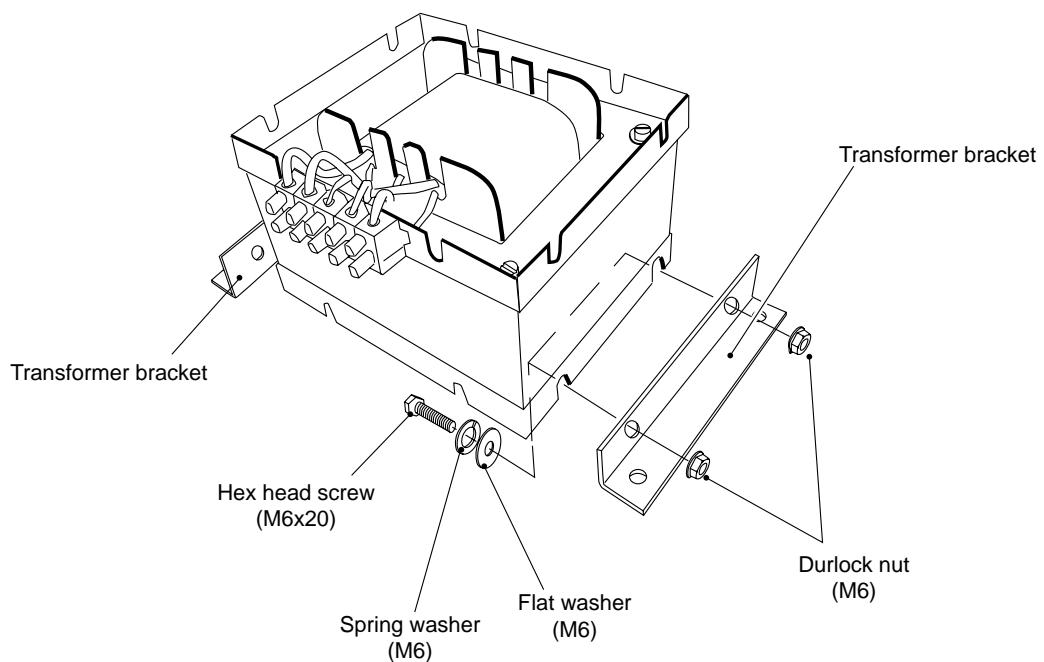
2. Disconnect the connectors on the Game PCB, including the Fan connector.
3. Remove 2 off hex head screw (M4x30) and remove the Game PCB tray by withdrawing it from the rear of the cabinet.



4. Disconnect the wires from the Transformer, including the Earth connection, making a note of where each wire is removed from.
5. Remove 4 off hex head screws (M6x20), with flat and spring washers, and remove the Transformer.

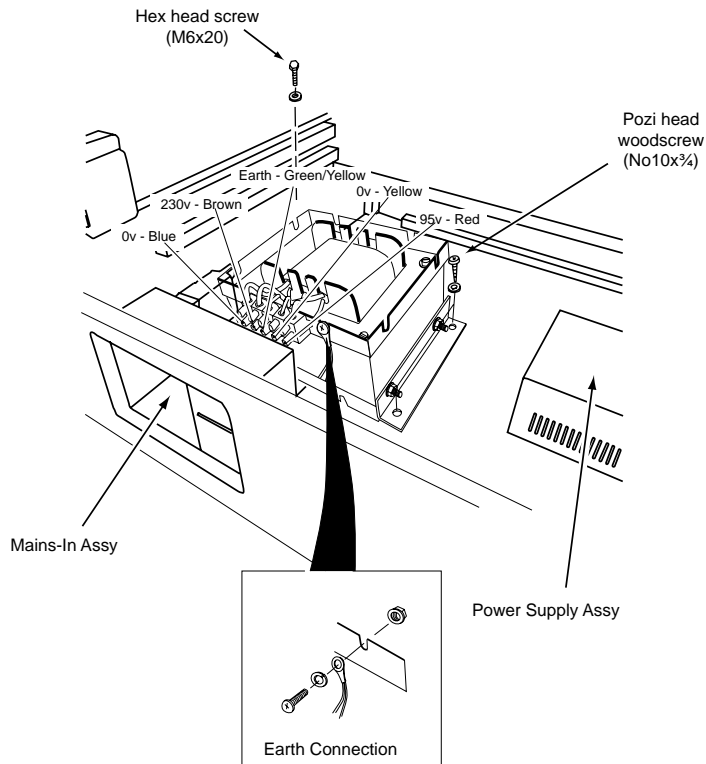


6. Fit the Mounting Brackets(supplied) to the Transformer with 4 off hex head screws (M6x20), flat and spring washers and Durlock nuts (M6) (supplied), as shown below.



7. Refit the new Transformer using 2 off hex head screws (M6x20), with flat and spring washers, and 2 off wood screws (No10x¾).  
It is important that the Transformer is fitted as shown below other wise interference on the monitor may occur.

*Note: Only 2 of the mounting screws will align with the fixings in the cabinet. See diagram below for correct position.*



8. Reconnect the wires to the transformer, including the Earth connection, ensuring the correct connections.
9. Refit the Game PCB Tray.
10. Reconnect the Game PCB connectors (including the Fan connector).
11. Refit the Monitor Cabinet Rear Door.



For all Parts or Technical Support contact:

Brent Spares,  
Namco House,  
Units 5-8, Acton Park Estate,  
The Vale,  
London. W3 7QE

[www.namco.co.uk](http://www.namco.co.uk)

For Technical Support, Warranty and  
Advance Replacement Parts:- +44 (0) 20 8324 6120

For Consumable Parts:- +44 (0) 20 8324 6102

Fax for both:- +44 (0) 20 8324 6126